



TORRETTA SUPERSOFT™

The Torretta Supersoft™ has an ergonomic design that makes using this chair easier on your back and posture for longer periods of use.

It is equipped with 2 adjustable support pillows — a lumbar pillow for your back and a headrest pillow to support your neck and head.

The Supersoft™ material has a unique velvety texture and it's breathability makes it perfect for long hours of use. The fluid-repellant fabric makes it easier to clean and keep looking new.



Colors



Anthracite



Pure Black



Brown



Forest



Pink



Red



Logistic & Specs



Netto Weight

22.2kg / 49 lbs

Gross Weight

26.5kg / 58.4 lbs

Box Dimension

86 x 69 x 35 cm
33.9 x 27 x 13.8 inches

Container 40ft

306 pcs

SKU/EAN

- TORRETTA-SPSF-ANT.....850047390196
- TORRETTA-SPSF-PBK.....850047390301
- TORRETTA-SPSF-BWN.....850047390097
- TORRETTA-SPSF-FST.....850047390080
- TORRETTA-SPSF-PNK.....850047390202
- TORRETTA-SPSF-RED.....850047390424

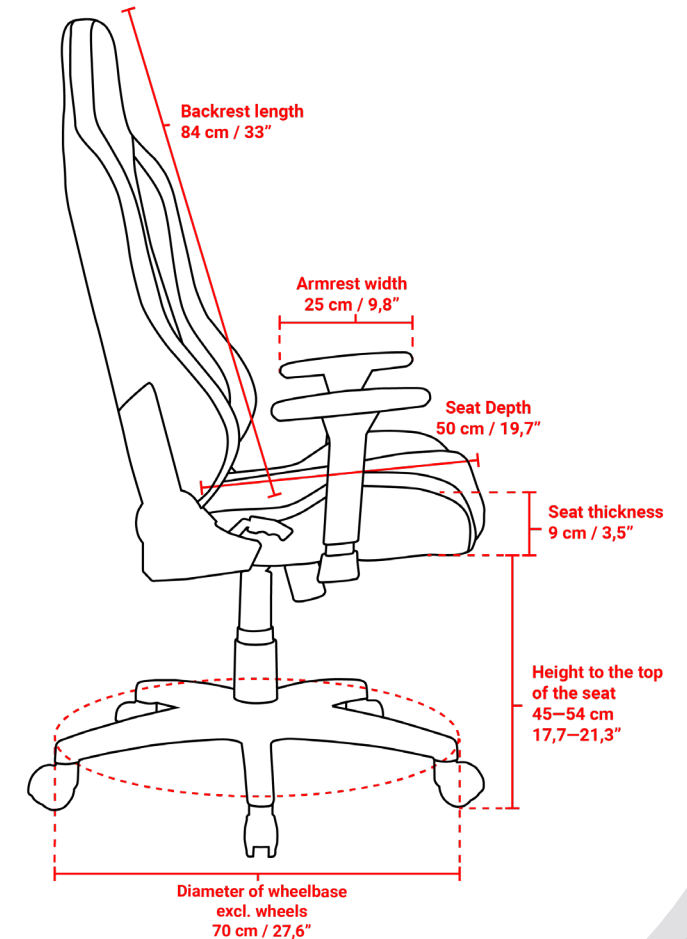
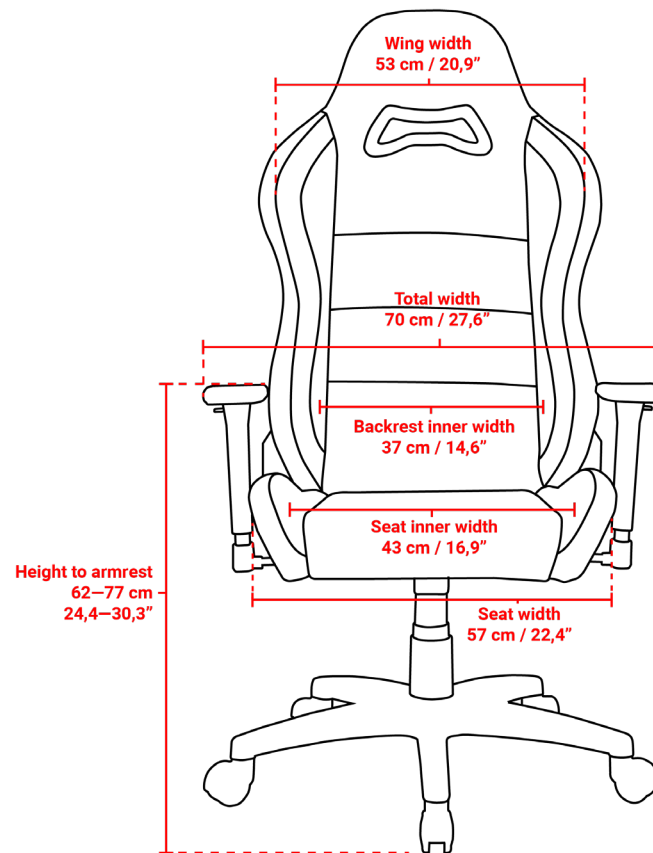
Frame material.....Metal
Wheel base.....Nylon
Upholstery.....Supersoft™

Density seat.....60 kg/m³
Density backrest.....60 kg/m³

Armrest.....3D
Tilt angle.....12°
Tilt lock.....Yes
Tilt angle lock.....No
Backrest max angle.....165°
Gas lift.....Class 4

Lumbar cushion.....Yes
Headrest.....Yes

Weight capacity.....120kg / 265 lbs.



Box Dimension

