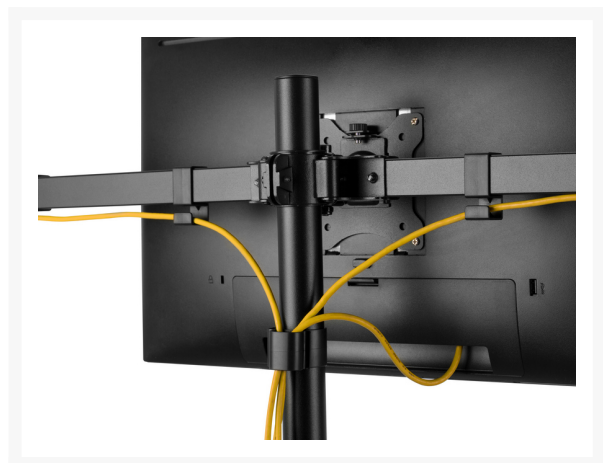
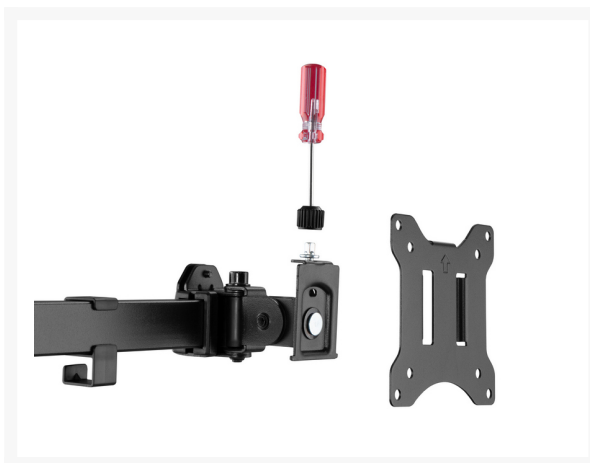
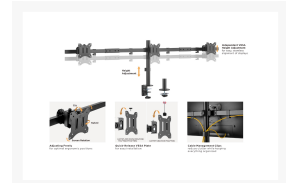
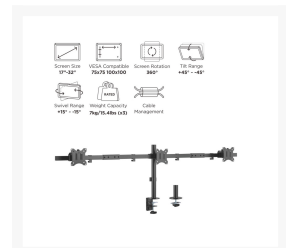
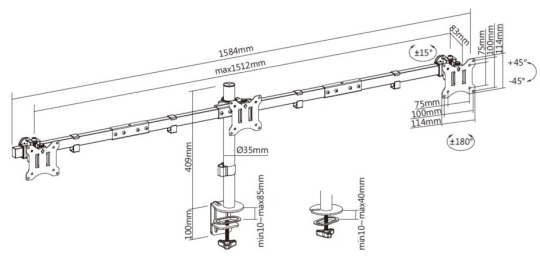


# 650158 17"-32" Articulating Triple Monitor Desk Mount Bracket

## Product Images





## Short Description

- Max. Load Capacity: 7Kg (per screen)
- Max. VESA: 100x100
- Installation: Grommet and Clamp
- Sturdy Steel Construction: provides a solid and long-lasting performance
- Height adjustment
- Both grommet and desk clamp mounting available
- Freely adjusting height for an optimal ergonomic position
- VESA standards compliant
- Free-tilting design for multiple monitor viewing angles
- Detachable VESA Plate Design
- Portrait or Landscape viewing : fits any installation
- Cable clips keep cables organized and protected

## Description

The Equip 650158 17"-32" Articulating Triple Monitor Desk Mount Bracket offers a versatile and efficient solution for optimizing your workspace. With a sleek and durable

design, this triple monitor mount is compatible with monitors ranging from 17 to 32" providing flexibility for various setups.

Featuring articulating arms, this mount allows you to adjust the height, tilt, and swivel of each monitor independently. Achieve the perfect ergonomic position, reduce neck and eye strain, and maximize productivity with customizable viewing angles. The bracket supports a VESA mounting pattern, ensuring compatibility with a wide range of monitors.

Designed for stability, the mount securely clamps to your desk, creating a clutter-free and organized workspace. Cable management clips keep cables tidy, enhancing the overall aesthetics of your setup. The robust construction ensures durability and stability, providing a reliable solution for multi-monitor configurations.

## Additional Information

---

Color	Black
EAN	4015867236017
Model Number	650158
Approval and Compliance	RoHS & REACH
Package Contents	Desk Mount Bracket User Manual Screws kits
Dimensions (W x D x H)	1626 x 200 x 539 mm
Product weight (kg)	5.65
Cable management	Yes
Pipe Size (Pole height)	409mm
Quick Installation VESA Plate	Yes
Compatible Display Size	17"-32"
Installation	Clamp,Grommet
Load Capacity (kg)	7kg
Material	Plastic, Stainless Steel, Aluminum
Mount	Desk mount
Pan (Swivel) range	+15°~-15°
Screen Rotation	+180°~-180°
Screens support quantity	3
Support Curved TV (Monitors)	Yes
Tilt range	+45°~-45°
VESA compatibility	75x75, 100x100

