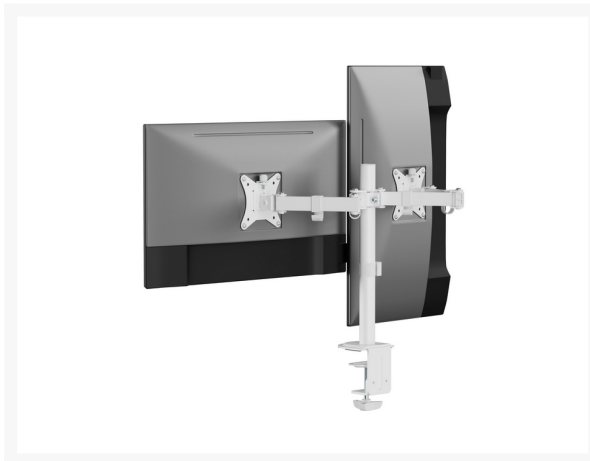
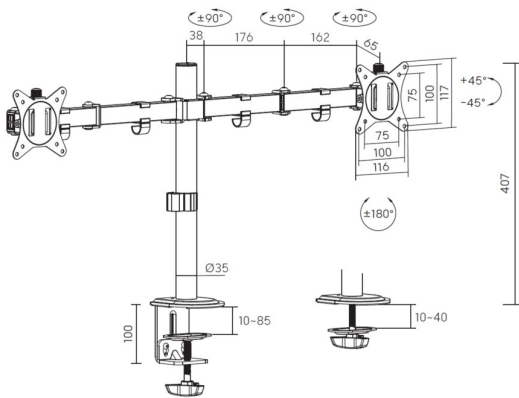


# 650167 17"-32" Articulating Dual Monitor Desk Mount Bracket, White

## Product Images





## Short Description

- Mounting Option: Clamp (10-85mm) /Grommet (10-40mm)
- Max. Load Capacity: 9kg (per screen)
- Max. VESA: 100x100
- Screen Rotation: 360°
- Mounting Option: Clamp/Grommet
- Full motion mount
- Height adjustment
- VESA standards compliant
- Free-tilting design for multiple monitor viewing angles
- Detachable VESA Plate Design
- Portrait or Landscape viewing : fits any installation
- Cable clips keep cables organized and protected

## Description

The equip 650167 Dual Monitor Desk Mount Bracket is a versatile mounting solution for monitors sized between 17 inches and 32 inches your LCD/LED monitor. It offers adjustable articulation, allowing you to tilt, swivel, and rotate your monitor for ergonomic

viewing positions.

The bracket is designed to free up desk space and create a streamlined setup. Its durable construction ensures stability and support for your monitor. With a white finish, it adds a modern touch to your workspace. Easy to install and with cable management features, this dual desk mount bracket is ideal for creating a comfortable and organized work environment.

A convenient phone slot located on the base. A detachable VESA plate for user-friendly installation.

## Additional Information

---

Harmonized System (HS) code	852990
Customs product code (TARIC)	8529909700
Approval and Compliance	RoHS
Package Contents	Articulating Dual Monitor Desk Mount Bracke Manual screws kits
Cable management	Yes
Pipe Size (Pole height)	407mm
Quick Installation VESA Plate	Yes
Compatible Display Size	17"-32"
Installation	Clamp,Grommet
Load Capacity (kg)	9
Material	Plastic, Stainless Steel
Mount	Desk mount
Pan (Swivel) range	+90°~-90°
Screen Rotation	+180°~-180°
Screens support quantity	2
Support Curved TV (Monitors)	Yes
Tilt range	+45°~-45°
VESA compatibility	75x75,100x100
Dimensions (W x D x H)	869 x 112 x 561 mm
Product weight (kg)	3.46
Color	White
EAN	4015867237632
Model Number	650167

