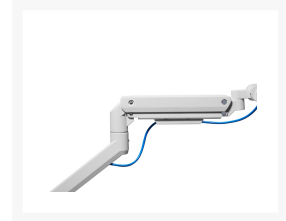


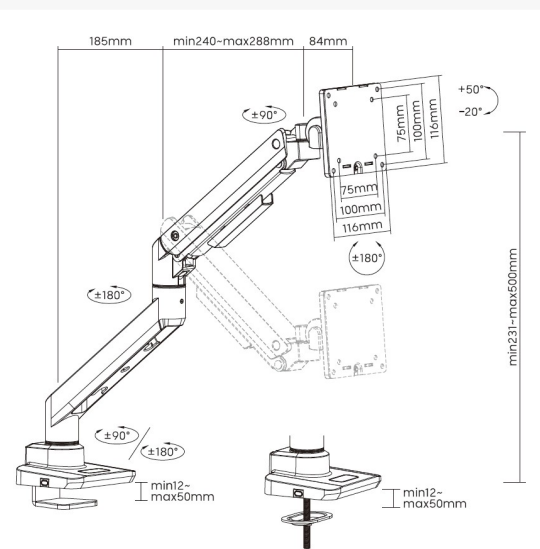
---

# 650181 17"-49" Heavy-Duty Monitor Desk Mount Bracket, White

## Product Images

---





## Short Description

---

- Max. Load Capacity: 20Kg (per screen)
- Max. VESA: 100x100
- Sturdy and lightweight aluminum construction
- Gas spring structure offers perfect counterbalance presentation in all directions
- Built-in spring tension gauge can be easily adjusted to fit varied weights on the arm
- VESA standards compliant
- Free-tilting design for multiple monitor viewing angles
- Detachable VESA Plate Design
- Cable clips keep cables organized and protected

## Description

---

The Equip 650181 17"-49" Heavy-Duty Monitor Desk Mount Bracket is a robust and versatile solution designed to support larger monitors, ranging from 17 inches to 49 inches in size. This heavy-duty mount is ideal for users who require a durable and reliable solution for managing larger displays in their workspace.

Built with a sturdy construction, the heavy-duty desk mount bracket ensures stability and secure support for monitors with varying weights. The adjustable design allows for versatile positioning, catering to the needs of professionals, creative designers, and gamers alike. Whether you're working on complex tasks, editing videos, or gaming, this mount provides flexibility in arranging and aligning your larger monitors.

## Additional Information

---

Color	White
EAN	4015867236062
Model Number	650181
Approval and Compliance	RoHS & REACH
Package Contents	Desk Mount Bracke User Manual Screws kits
Dimensions (W x D x H)	132 x 558 x 575 mm
Product weight (kg)	3.59
Cable management	Yes
Quick Installation VESA Plate	Yes
Compatible Display Size	17"-49"
Installation	Clamp,Grommet
Load Capacity (kg)	20kg
Material	Plastic, Stainless Steel, Aluminum
Mount	Desk mount
Pan (Swivel) range	+90°~-90°
Screen Rotation	+180°~-180°
Screens support quantity	1
Support Curved TV (Monitors)	Yes
Tilt range	+50°~-20°
VESA compatibility	75x75,100x100

