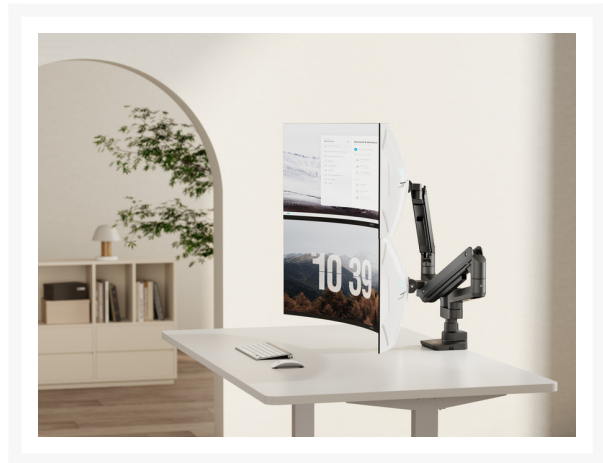
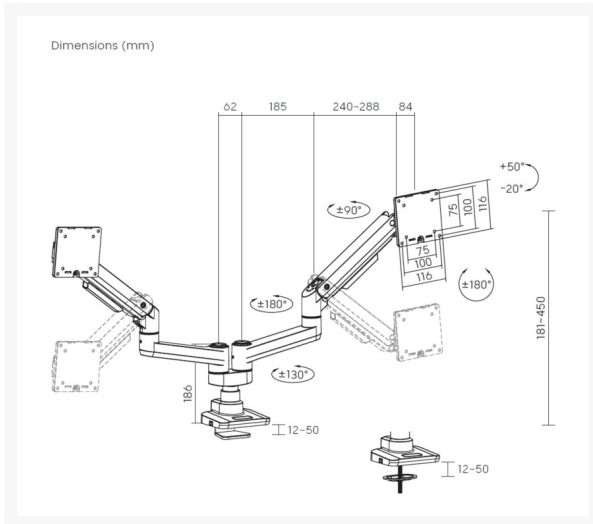


650182 17"-35" Heavy-Duty Dual Monitor Desk Mount Bracket, Black

Product Images





Short Description

- Max. Load Capacity: 20Kg (per screen)
- Max. VESA: 100x100
- Sturdy and lightweight aluminum construction
- Gas spring structure offers perfect counterbalance presentation in all directions
- Built-in spring tension gauge can be easily adjusted to fit varied weights on the arm
- VESA standards compliant
- Free-tilting design for multiple monitor viewing angles
- Detachable VESA Plate Design
- Cable clips keep cables organized and protected

Description

The Equip 650182 17"-35" Heavy-Duty Dual Monitor Desk Mount Bracket is a robust and versatile solution for organizing and optimizing your workspace. This heavy-duty mount is specifically designed to support dual monitors ranging from 17 inches to 35 inches in size, making it an ideal choice for users who require durability and stability for larger dual-display configurations.

Featuring a sturdy construction, the heavy-duty dual monitor desk mount bracket ensures stability and secure support for monitors with varying weights. The dual-arm design allows for independent movement of each monitor, providing flexibility in positioning and enabling optimal ergonomic arrangements. Whether you're a professional multitasking with multiple applications or a gamer seeking an immersive dual-monitor experience, this mount caters to a variety of needs.

Additional Information

Color	Black
EAN	4015867236079
Model Number	650182
Approval and Compliance	RoHS & REACH
Package Contents	Desk Mount Bracket User Manual Screws kits
Dimensions (W x D x H)	1033 x 133 x 530 mm
Product weight (kg)	6.42
Cable management	Yes
Pipe Size (Pole height)	186mm
Quick Installation VESA Plate	Yes
Compatible Display Size	17"-35"
Installation	Clamp,Grommet
Load Capacity (kg)	20kg
Material	Plastic, Stainless Steel, Aluminum
Mount	Desk mount
Pan (Swivel) range	+90°~-90°
Screen Rotation	+180°~-180°
Screens support quantity	2
Support Curved TV (Monitors)	Yes
Tilt range	+50°~-20°
VESA compatibility	75x75,100x100

