

## DS-2CD1323G2-I(UF) 2 MP Fixed Turret Network Camera



- High quality imaging with 2 MP resolution
- Support Human and Vehicle Detection
- Water and dust resistant (IP67)
- Efficient H.265+ compression technology
- EXIR 2.0: advanced infrared technology with long IR range
- Support on-board storage up to 256GB (SD card slot)(Optional)
- Built-in microphone for real-time audio security(Optional)

## ▪ Specification

| Camera                      |  |
|-----------------------------|--|
| Image Sensor                | 1/2.9" Progressive Scan CMOS   |
| Max. Resolution             | 1920 × 1080  |
| Min. Illumination           | Color: 0.01 Lux @ (F2.0, AGC ON), B/W: 0 Lux with IR   |
| Shutter Time                | 1/3 s to 1/100,000 s   |
| Day & Night                 | IR cut filter  |
| Angle Adjustment            | Pan: 0° to 360°, tilt: 0° to 75°, rotate: 0° to 360°   |
| Lens                        |  |
| Lens Type                   | Fixed focal lens, 2.8 and 4 mm optional  |
| Focal Length & FOV          | 2.8 mm, horizontal FOV 104°, vertical FOV 58°, diagonal FOV 123°<br>4 mm, horizontal FOV 81°, vertical FOV 43°, diagonal FOV 96° |
| Lens Mount                  | M12  |
| Iris Type                   | Fixed  |
| Aperture                    | F2.0   |
| DORI                        |  |
| DORI                        | 2.8 mm, D: 42 m, O: 16 m, R: 8 m, I: 4 m<br>4 mm, D: 57 m, O: 22 m, R: 11 m, I: 5 m  |
| Illuminator                 |  |
| Supplement Light Type       | IR   |
| Supplement Light Range      | Up to 30 m   |
| Smart Supplement Light      | Yes  |
| IR Wavelength               | 850 nm   |
| Video                       |  |
| Main Stream                 | 50 Hz: 25 fps (1920 × 1080, 1280 × 720)<br>60 Hz: 30 fps (1920 × 1080, 1280 × 720)   |
| Sub-Stream                  | 50 Hz: 25 fps (640 × 480, 640 × 360)<br>60 Hz: 30 fps (640 × 480, 640 × 360)   |
| Video Compression           | Main stream: H.265+/H.265/H.264+/H.264<br>Sub-stream: H.265/H.264/MJPEG  |
| Video Bit Rate              | 32 Kbps to 8 Mbps  |
| H.264 Type                  | Baseline Profile/Main Profile/High Profile   |
| H.265 Type                  | Main Profile   |
| Bit Rate Control            | CBR/VBR  |
| Region of Interest (ROI)    | 1 fixed region for main stream   |
| Audio                       |  |
| Audio Type                  | -U: Mono sound   |
| Environment Noise Filtering | -U: Yes  |
| Audio Sampling Rate         | -U: 8 kHz/16 kHz   |
| Audio Compression           | -U: G.711ulaw/G.711alaw/G.722.1/G.726/MP2L2/PCM/AAC-LC   |
| Audio Bit Rate              | -U: 64 Kbps (G.711 ulaw)/64 Kbps (G.711 alaw)/16 Kbps (G.722.1)/16 Kbps (G.726)/32 to 160 Kbps (MP2L2)/16 to 64 Kbps (AAC-LC)    |

| <b>Network</b>                   |  |
|----------------------------------|--|
| Security                         | Password protection, complicated password, watermark, basic and digest authentication for HTTP, WSSE and digest authentication for Open Network Video Interface, security audit log, host authentication (MAC address) |
| Simultaneous Live View           | Up to 6 channels   |
| API                              | Open Network Video Interface (Profile S, Profile T, Profile G (only -F model supports)), ISAPI, SDK  |
| Protocols                        | TCP/IP, ICMP, DHCP, DNS, HTTP, RTP, RTSP, NTP, IGMP, IPv6, UDP, QoS, FTP, SMTP   |
| User/Host                        | Up to 32 users<br>3 user levels: administrator, operator, and user   |
| Client                           | iVMS-4200, Hik-Connect   |
| Web Browser                      | Plug-in required live view: IE 10, IE 11<br>Local service: Chrome 57.0+, Firefox 52.0+   |
| <b>Image</b>                     |  |
| Wide Dynamic Range (WDR)         | Digital WDR  |
| SNR                              | ≥ 52 dB  |
| Day/Night Switch                 | Day, Night, Auto, Schedule   |
| Image Enhancement                | BLC, HLC, 3D DNR   |
| Image Settings                   | Rotate mode, saturation, brightness, contrast, sharpness, gain, white balance, adjustable by client software or web browser  |
| Privacy Mask                     | 4 programmable polygon privacy masks   |
| <b>Interface</b>                 |  |
| Ethernet Interface               | 1 RJ45 10 M/100 M self-adaptive Ethernet port  |
| On-Board Storage                 | -F: Built-in memory card slot, support microSD/microSDHC/microSDXC card, up to 256 GB  |
| Built-in Microphone              | -U: Yes  |
| Reset Key                        | -F: Yes  |
| <b>Event</b>                     |  |
| Basic Event                      | Motion detection (support alarm triggering by specified target types (human and vehicle)), video tampering alarm, exception  |
| Linkage                          | Upload to FTP/memory card (-F), send email, notify surveillance center, trigger recording (-F), trigger capture  |
| <b>General</b>                   |  |
| Power                            | 12 VDC ± 25%, 0.4 A, max. 5 W, Ø5.5 mm coaxial power plug<br>PoE: 802.3af, Class 3, 36 V to 57 V, 0.2 A to 0.15 A, max. 6.5 W  |
| Material                         | Metal & Plastic  |
| Dimension                        | Ø110 mm × 85.3 mm (Ø4.3" × 3.4")   |
| Package Dimension                | 150 mm × 150 mm × 141 mm (5.9" × 5.9" × 5.6")  |
| Weight                           | -I: Approx. 330 g (0.7 lb.); -IUF: Approx. 340 g (0.7 lb.)   |
| With Package Weight              | -I: Approx. 550 g (1.2 lb.); -IUF: Approx. 560 g (1.2 lb.)   |
| Storage Conditions               | -30 °C to 60 °C (-22 °F to 140 °F). Humidity 95% or less (non-condensing)  |
| Startup and Operating Conditions | -30 °C to 60 °C (-22 °F to 140 °F). Humidity 95% or less (non-condensing)  |
| Language                         | English, Ukrainian   |
| General Function                 | Heartbeat, anti-banding, mirror, password protection, password reset via email   |

| Approval    |  |
|-------------|--|
| EMC         | FCC: 47 CFR Part 15, Subpart B<br>CE-EMC: EN 55032: 2015, EN 61000-3-2:2019, EN 61000-3-3: 2013+A1:2019, EN 50130-4: 2011 +A1: 2014<br>RCM: AS/NZS CISPR 32: 2015<br>IC: ICES-003: Issue 7<br>KC: KN32: 2015, KN35: 2015 |
| Safety      | UL: UL 62368-1<br>CB: IEC 62368-1: 2014+A11<br>CE-LVD: EN 62368-1: 2014/A11: 2017<br>BIS: IS 13252 (Part 1): 2010/IEC 60950-1: 2005  |
| Environment | CE-RoHS: 2011/65/EU<br>WEEE: 2012/19/EU<br>Reach: Regulation (EC) No 1907/2006   |
| Protection  | IP67: IEC 60529-2013   |

## ▪ Typical Application

Hikvision products are classified into three levels according to their anti-corrosion performance. Refer to the following description to choose for your using environment.

This model has NO SPECIFIC PROTECTION.

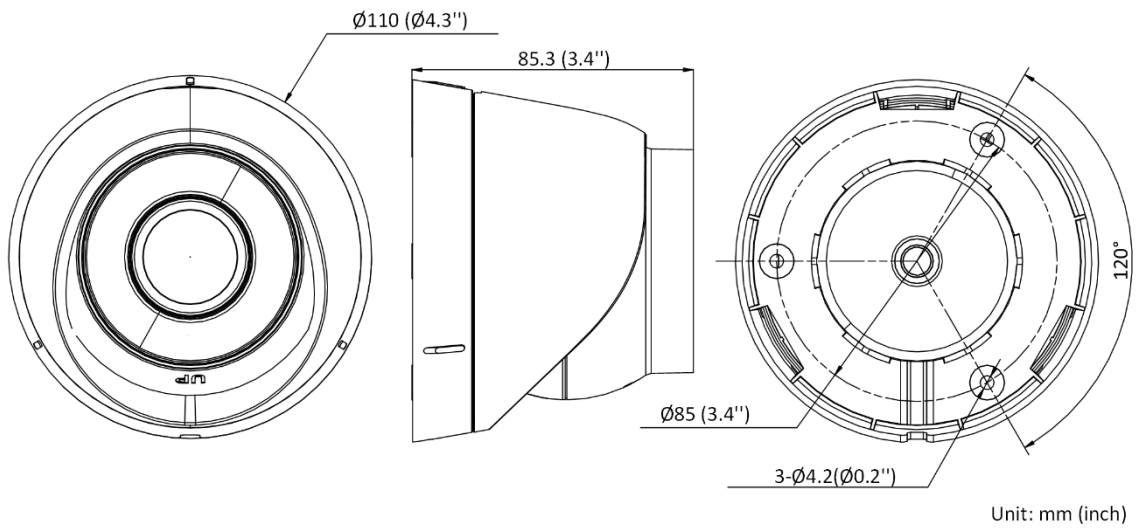
| Level                  | Description  |
|------------------------|--|
| Top-level protection   | Hikvision products at this level are equipped for use in areas where professional anti-corrosion protection is a must. Typical application scenarios include coastlines, docks, chemical plants, and more.   |
| Moderate protection    | Hikvision products at this level are equipped for use in areas with moderate anti-corrosion demands. Typical application scenarios include coastal areas about 2 kilometers (1.24 miles) away from coastlines, as well as areas affected by acid rain. |
| No specific protection | Hikvision products at this level are equipped for use in areas where no specific anti-corrosion protection is needed.  |

## ▪ Available Model

DS-2CD1323G2-IUF(2.8mm)

DS-2CD1323G2-IUF(4mm)



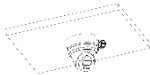

▪ **Dimension**



▪ **Accessory**

▪ **Optional**

| DS-1272ZJ-110-TRS<br>Wall mount | DS-1275ZJ-SUS<br>Vertical pole mount | DS-1276ZJ-SUS<br>Corner mount | DS-1280ZJ-S<br>Junction box | DS-1281ZJ-S<br>Inclined ceiling mount |
|---------------------------------|--------------------------------------|-------------------------------|-----------------------------|---------------------------------------|
|                                 |                                      |                               |                             |                                       |
|                                 |                                      |                               |                             |                                       |

| <b>DS-1280ZJ-TR13</b><br>Junction box   | <b>DS-1271ZJ-110-TRS</b><br><b>DS-1271ZJ-110-TRS</b>                               |
|---|--|
|  |   |
|  |  |

**Headquarters**

No.555 Qianmo Road, Binjiang District,  
Hangzhou 310051, China  
T +86-571-8807-5998  
www.hikvision.com



Follow us on social media to get the latest product and solution information.

