

## DS-UPS600 UPS



- Built-in AVR
- Super fast charging
- Wide input voltage range
- Overload protection
- Short circuit protection
- Surge protection

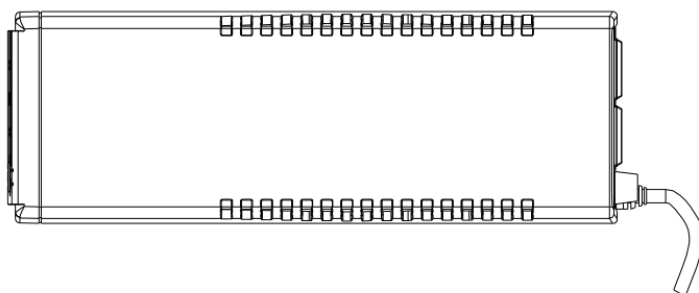
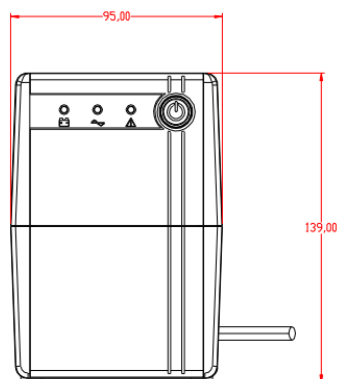
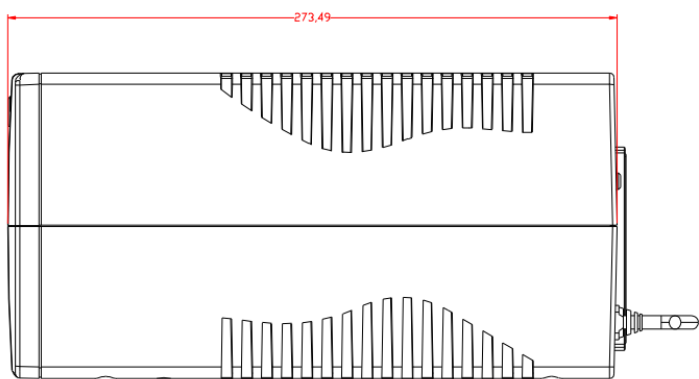
## ▪ Specification

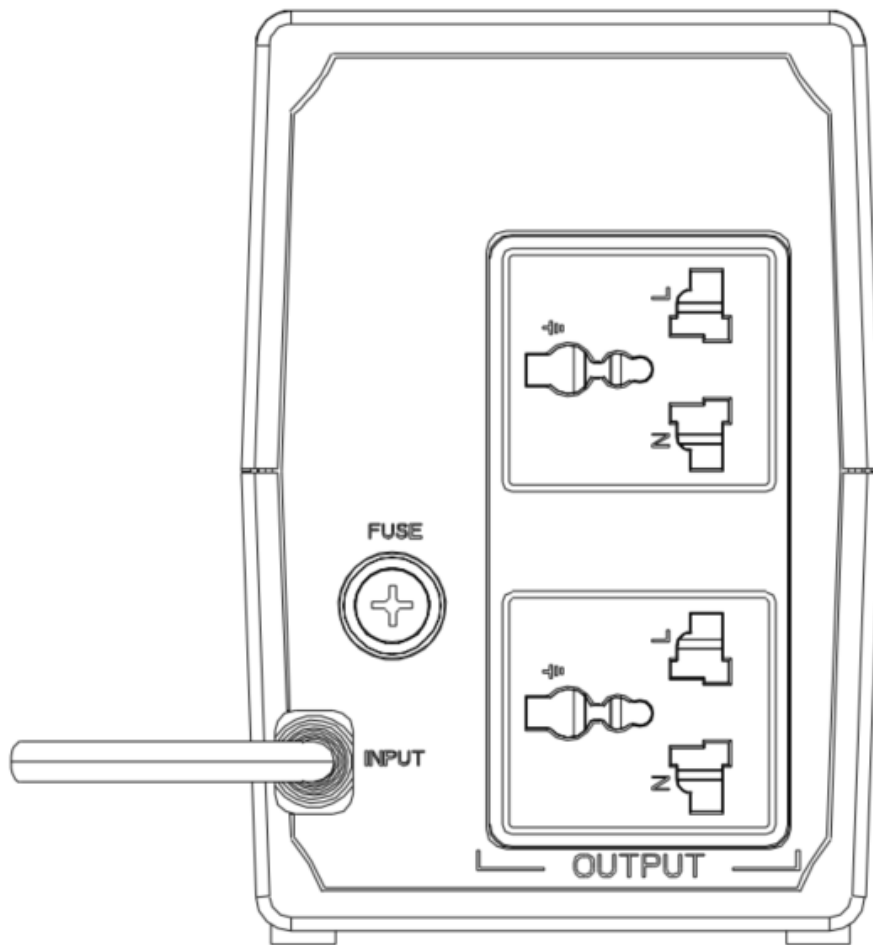
<b>Power</b>	
UPS Capacity	600 VA / 360 W
<b>Input</b>	
Input Voltage Range	140 VAC to 290 VAC
Input Frequency	50/60 Hz self-adaptive
Plug Type	Schuko
<b>Output</b>	
Output Voltage Range	210 VAC to 235 VAC
Output Frequency	50/60 Hz ± 0.5 Hz self-adaptive
Transfer Time	≤ 10 ms
Waveform	PWM
Outlet Type	Universal
Outlet Number	2
<b>Battery</b>	
Battery Type	12 V/7 Ah, lead-acid battery
Recharge Time	4-6 hours recover to 90% capacity
Typical Backup Time	Run time at 60w: 35 min Run time at 100w: 20 min Run time at 200w: 3 min
<b>Interface</b>	
Communicate Ports	No
<b>Protection</b>	
Full Protection	Surge protection, Overload protection, Discharge protection, Overcharge protection
<b>Indicator</b>	
Display	LED indicator Working Mode (AC Mode): Solid green Charging Mode (DC Mode): Solid red Overloading Mode: Flashing yellow
Alarm	Charging Mode (DC mode): Sounding every 8 seconds Low Battery: Sounding every second Overloading Mode: Sounding every 0.5 seconds Fault: Continuously sounding
<b>General</b>	
Operating Temperature	0 °C to 40 °C (32 °F to 104 °F)
Operating Humidity	30% to 90% (non-condensing)
Dimension	274 mm × 95 mm × 139 mm (10.79" × 3.74" × 5.47")
Weight	Approx. 4.2 kg (9.26 lb)

## ▪ Available Model

DS-UPS600

▪ Dimension





**Headquarters**

No.555 Qianmo Road, Binjiang District,  
Hangzhou 310051, China  
T +86-571-8807-5998  
www.hikvision.com



Follow us on social media to get the latest product and solution information.

